

AIR TORQUE

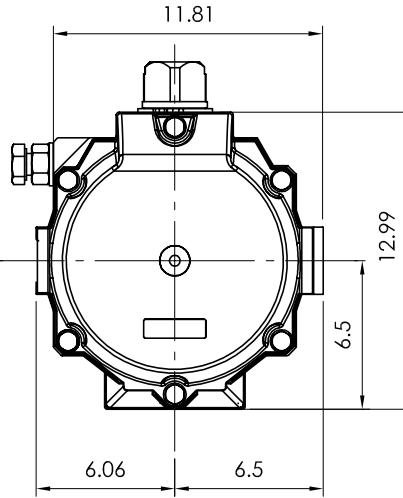
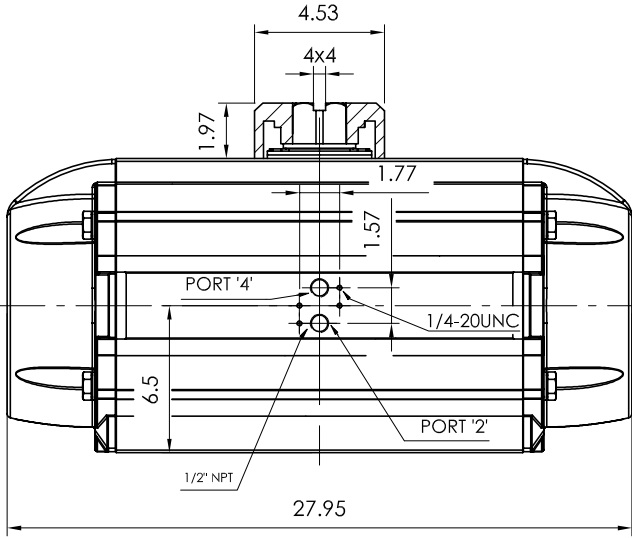
AIR TORQUE S.p.A.
 via Alla Campagna, N°1
 24060 Costa di Mezzate (Bg) Italy
 Tel.: +39 035 682299
 Fax: +39 035 687791
 E-mail: info@airtorque.it

Technical Data Sheet n° **PT700DU**
 Issued on: 12/04

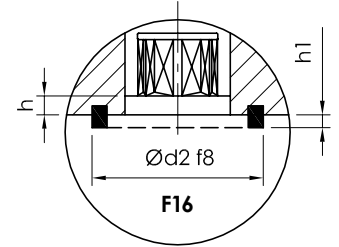
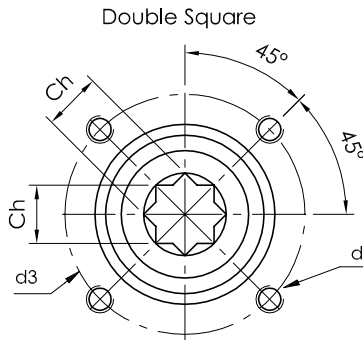
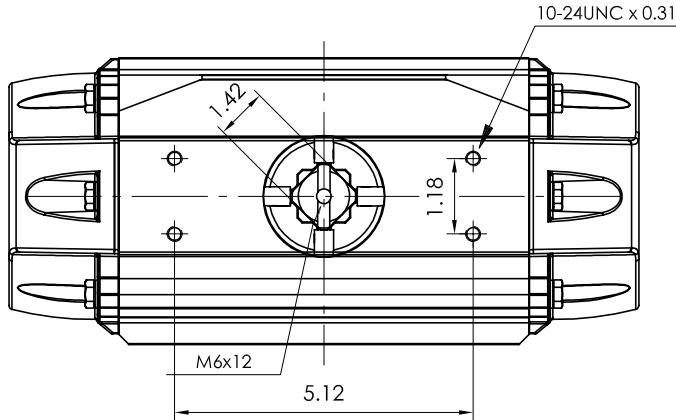
Page: 1/1

Model PT700
DA and SR - 90°

Dimensions in inch



Flange Dimensions	
ISO 5211	F16
d2 f8	5,12
d3	6,5
d4	3/4-10UNC x 1,18
H	5,12
Ch	1,81
l min.	1,89
h min.	0,1
h1	0,16
Pressure connection	N 4
Ancillary Attachment	AA 4



Spigot available only on request

TYPE	OUTPUT TORQUE FOR DOUBLE ACTING IN FT-LBS								WEIGHT (LBS)								
	40 Psi		50 Psi		60 Psi		70 Psi			80 Psi		90 Psi		100 Psi		116 Psi	
Pressure	0°	90°	0°	90°	0°	90°	0°	90°	0°	90°	0°	90°	0°	90°	0°	90°	170
D	1055		1319		1583		1847		2111		2375		2638		3061		

TYPE	OUTPUT TORQUE FOR SPRING RETURN IN FT-LBS												Spring stroke		WEIGHT (LBS)				
	40 Psi		50 Psi		60 Psi		70 Psi		80 Psi		90 Psi		100 Psi			116 Psi		90°	0°
Pressure	0°	90°	0°	90°	0°	90°	0°	90°	0°	90°	0°	90°	0°	90°	0°	90°	Start	End	
S 05	653	465	917	729	1181	992	1445	1256	1708	1520	1972	1784	2236	2048	2658	2470	591	402	188
S 06	573	347	836	610	1100	874	1364	1138	1628	1402	1892	1666	2156	1930	2578	2352	709	483	192
S 07	492	228	756	492	1020	756	1284	1020	1547	1284	1811	1548	2075	1811	2497	2234	827	563	195
S 08			675	374	939	638	1203	902	1467	1166	1731	1429	1995	1693	2417	2115	945	644	199
S 09			595	256	859	519,8	1123	784	1387	1048	1650	1311	1914	1575	2336	1997	1063	724	202
S 10					778	402	1042	666	1306	929	1570	1193	1834	1457	2256	1879	1181	805	206
S 11							962	547	1226	811	1489	1075	1753	1339	2175	1761	1300	885	209
S 12									1145	693	1409	957	1673	1221	2095	1643	1418	966	213

Max. Pressure	Rotation	Screw stroke Adjustment	Chamber φ (inch)	Air Volume (in ³)			Moving Time (Sec.) (A)		Operating Temperature (°F) (B)		
				Opening	Closing	Opening	Closing	STD (standard)	HT (high temperature)	LT (low temperature)	
116 Psi	90° ±4° at 0° and 90°	For 1° adj. need 1/4 Turn	10,43	885	1305	D 4,0 S 4,5	D 4,5 S 5,0	NBR "O" ring - 4 to + 176	FPM "O" ring + 5 to + 300	Silicone "O" ring - 40 to + 176	

Notes:

(A) The above indicated moving time of the actuator, are obtained in the following test conditions:

(1) Room Temperature, (2) Actuator Stroke 90°, (3) Solenoid Valve with Orifice Of 11 mm and a flow capacity Qn 6000 L/min., (4) Inside pipe diameter 11 mm, (5) Medium clean air, (6) Air supply pressure 5,5 bar (79,75 Psi), (7) Actuator without external resistance load. **Cautions: obviously on the field applications when one or more of the above parameter are different, the moving time will be different.**

(B) For HT (high temperature) and LT (low temperature) services, a special Lubricant is requested. Please contact Air Torque factory.

Operating Medium:

The operating medium must be free of dust and oil. The maximum particle size must not exceed 30µm (ISO 8573 Part1, Class5). In order to prevent water condensation and/or solidification – ice, when actuator work below 0°C (32°F) – the operating medium must have a dew point equal to -20°C (-4°F) or, at least 10°C below the ambient temperature (ISO 8573 Part1, Class3).

This data sheet is property of AIR TORQUE S.p.A. Costa di Mezzate - Italy and all rights of use and reproduction are reserved.
 This data sheet is general in nature and manufacturer reserves the right to alter materials or to make other improvements from time to time