



AIR TORQUE

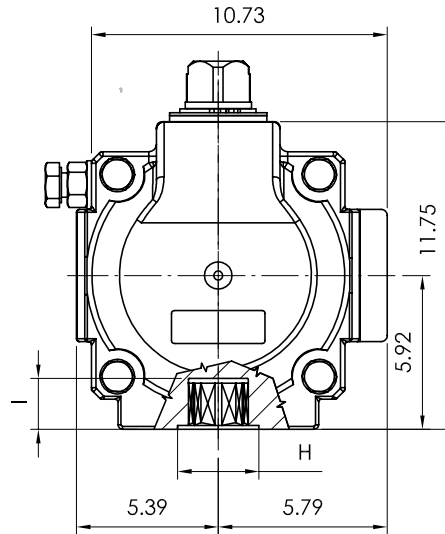
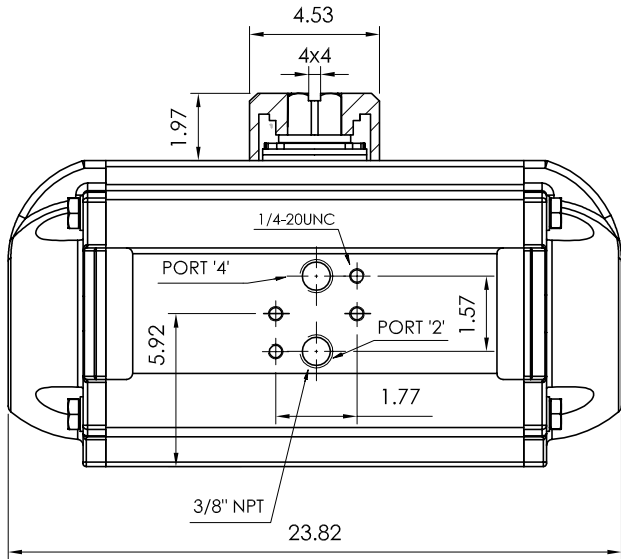
AIR TORQUE S.p.A.
 via Alla Campagna, N°1
 24060 Costa di Mezzate(Bg) Italy
 Tel.: +39 035 682299
 Fax: +39 035 687791
 E-mail: info@airtorque.it

Technical Data Sheet n° **PT650DU**
 Issued on: 12/04

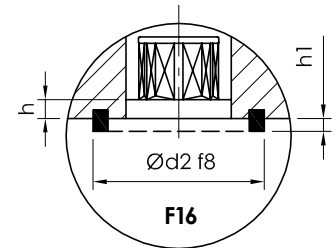
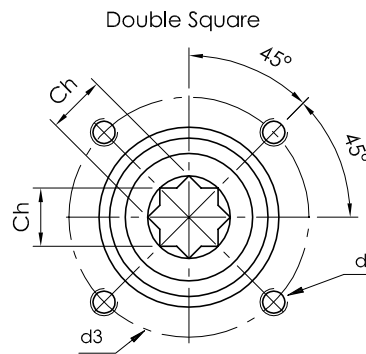
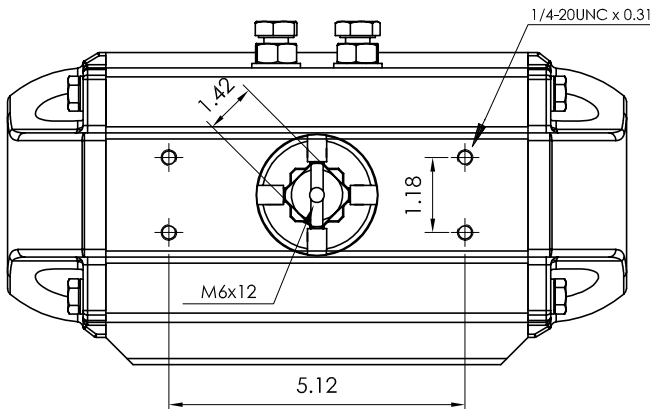
Page: 1/1

Model PT650
DA and SR - 90°

Dimensions in inch



Flange Dimensions	
ISO 5211	F16
d2 f8	5,12
d3	6,5
d4	3/4-10UNC x 1,18
H	5,12
Ch	1,81
l min.	1,89
h min.	0,1
h1	0,16
Pressure connection	N 3
Ancillary Attachment	AA 4



Spigot available only on request

TYPE	OUTPUT TORQUE FOR DOUBLE ACTING IN FT-LBS								WEIGHT (LBS)							
	40 Psi		50 Psi		60 Psi		70 Psi		80 Psi		90 Psi		100 Psi		116 Psi	
Pressure	0°	90°	0°	90°	0°	90°	0°	90°	0°	90°	0°	90°	0°	90°	0°	90°
D	727		909		1091		1272		1454		1636		1818		2109	

TYPE	OUTPUT TORQUE FOR SPRING RETURN IN FT-LBS												Spring stroke		WEIGHT (LBS)				
	40 Psi		50 Psi		60 Psi		70 Psi		80 Psi		90 Psi		100 Psi			116 Psi		90°	0°
Pressure	0°	90°	0°	90°	0°	90°	0°	90°	0°	90°	0°	90°	0°	90°	0°	90°	Start	End	
S 05	461	343	643	525	825	706	1007	888	1188	1070	1370	1252	1552	1433	1843	1724	384	266	138
S 06	408	266	590	448	772	629	953	811	1135	993	1317	1175	1499	1357	1790	1647	461	319	140
S 07	355	189	537	371	719	553	900	734	1082	916	1264	1098	1446	1280	1737	1571	538	372	143
S 08			484	294	665	476	847	658	1029	839	1211	1021	1393	1203	1683	1494	615	425	146
S 09			430	217	612	398,8	794	581	976	762	1158	944	1339	1126	1630	1417	692	479	148
S 10					559	322	741	504	923	686	1104	867	1286	1049	1577	1340	769	532	151
S 11					506	245	688	427	869	609	1051	790	1233	972	1524	1263	846	585	153
S 12							634	350	816	532	998	714	1180	895	1471	1186	922	638	156

Max. Pressure	Rotation	Screw stroke Adjustment	Chamber φ (inch)	Air Volume (in ³)		Moving Time (Sec.) (A)		Operating Temperature (°F) (B)		
				Opening	Closing	Opening	Closing	STD (standard)	HT (high temperature)	LT (low temperature)
116 Psi	90° ±4° at 0° and 90°	For 1° adj. need 1/4 Turn	9,45	610	928	D 3,5 S 4,1	D 4,0 S 4,6	NBR "O" ring - 4 to + 176	FPM "O" ring + 5 to + 300	Silicone "O" ring - 40 to + 176

Notes:

(A) The above indicated moving time of the actuator, are obtained in the following test conditions:

(1) Room Temperature, (2) Actuator Stroke 90°, (3) Solenoid Valve with Orifice Of 11 mm and a flow capacity Qn 6000 L/min., (4) Inside pipe diameter 11 mm, (5) Medium clean air, (6) Air supply pressure 5,5 bar (79,75 Psi), (7) Actuator without external resistance load. **Caution: obviously on the field applications when one or more of the above parameter are different, the moving time will be different.**

(B) For HT (high temperature) and LT (low temperature) services, a special Lubricant is requested. Please contact Air Torque factory.

Operating Medium:

The operating medium must be free of dust and oil. The maximum particle size must not exceed 30µm (ISO 8573 Part1, Class5). In order to prevent water condensation and/or solidification (ice, when actuator work below 0°C), the operating medium must have a dew point equal to -20°C or, at least 10°C below the ambient temperature (ISO 8573 Part1, Class3).

This data sheet is property of AIR TORQUE S.p.A. Costa di Mezzate - Italy and all rights of use and reproduction are reserved.
 This data sheet is general in nature and manufacturer reserves the right to alter materials or to make other improvements from time to time