



# AIR TORQUE

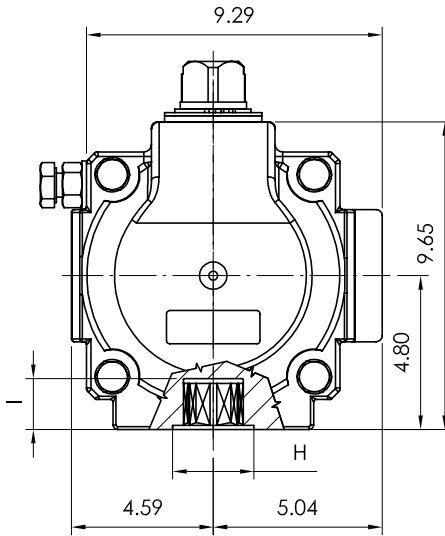
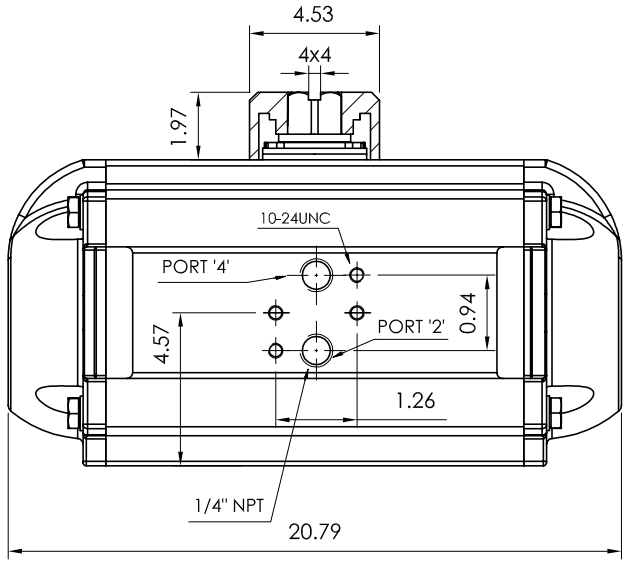
**AIR TORQUE S.p.A.**  
 via Alla Campagna,  
 24060 Costa di Mezzate(Bg) Italy  
 Tel.: +39 035 682299  
 Fax: +39 035 687791  
 E-mail: info@airtorque.it

Technical Data Sheet n° **PT600DU**  
 Issued on: 12/04

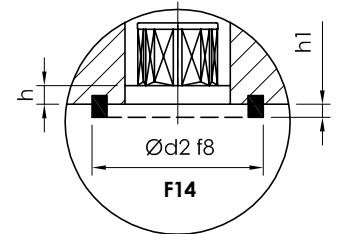
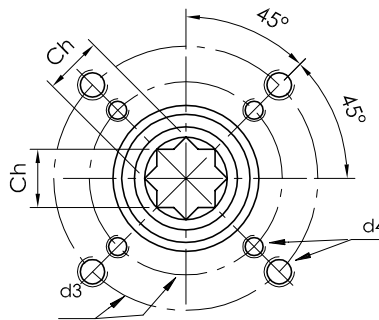
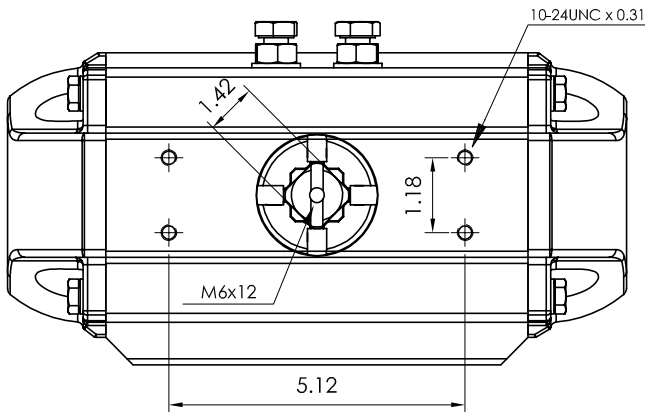
Page: 1/1

**Model PT600**  
**DA and SR - 90°**

**Dimensions in inch**



Flange Dimensions	
ISO 5211	F14
d2 f8	3,94
d3	5,51
d4	5/8-11UNC x 0,94
H	3,94
Ch	1,42
l min.	1,5
h min.	0,08
h1	0,12
Pressure connection	<b>N 2</b>
Ancillary Attachment	<b>AA 4</b>



**Spigot available only on request**

TYPE	OUTPUT TORQUE FOR DOUBLE ACTING IN FT-LBS										WEIGHT (LBS)					
	40 Psi		50 Psi		60 Psi		70 Psi		80 Psi		90 Psi		100 Psi		116 Psi	
Pressure	0°	90°	0°	90°	0°	90°	0°	90°	0°	90°	0°	90°	0°	90°	0°	90°
<b>D</b>	<b>433</b>		<b>541</b>		<b>649</b>		<b>757</b>		<b>866</b>		<b>974</b>		<b>1082</b>		<b>1255</b>	

TYPE	OUTPUT TORQUE FOR SPRING RETURN IN FT-LBS														Spring stroke		WEIGHT (LBS)		
	40 Psi		50 Psi		60 Psi		70 Psi		80 Psi		90 Psi		100 Psi		116 Psi			90°	0°
Pressure	0°	90°	0°	90°	0°	90°	0°	90°	0°	90°	0°	90°	0°	90°	0°	90°	Start	End	
<b>S 05</b>	276	201	384	309	492	417	601	525	709	633	817	742	925	850	1098	1023	<b>232</b>	<b>157</b>	89,6
<b>S 06</b>	245	154	353	262	461	370	569	479	677	587	786	695	894	803	1067	976	<b>279</b>	<b>188</b>	91,1
<b>S 07</b>	213	108	321	216	430	324	538	432	646	540	754	649	863	757	1036	930	<b>325</b>	<b>220</b>	92,7
<b>S 08</b>			290	169	398	278	507	386	615	494	723	602	831	710	1004	884	<b>372</b>	<b>251</b>	94,2
<b>S 09</b>			259	123	367	231,1	475	339	583	448	692	556	800	664	973	837	<b>418</b>	<b>282</b>	95,7
<b>S 10</b>					336	185	444	293	552	401	660	509	768	617	942	791	<b>465</b>	<b>314</b>	97,2
<b>S 11</b>							412	246	521	355	629	463	737	571	910	744	<b>511</b>	<b>345</b>	98,7
<b>S 12</b>									489	308	597	416	706	525	879	698	<b>558</b>	<b>376</b>	100

Max. Pressure	Rotation	Screw stroke Adjustment	Chamber φ (inch)	Air Volume (in <sup>3</sup> )		Moving Time (Sec.) (A)		Operating Temperature (°F) (B)		
				Opening	Closing	Opening	Closing	STD (standard)	HT (high temperature)	LT (low temperature)
<b>116 Psi</b>	<b>90° ±4°</b> at 0° and 90°	For 1° adj. need 1/4 Turn	<b>7,87</b>	<b>362</b>	<b>577</b>	D <b>2,7</b> S <b>3,5</b>	D <b>3,2</b> S <b>4,0</b>	NBR "O" ring - 4 to + 176	FPM "O" ring + 5 to + 300	Silicone "O" ring - 40 to + 176

**Notes:**  
 (A) The above indicated moving time of the actuator, are obtained in the following test conditions:  
 (1) Room Temperature, (2) Actuator Stroke 90°, (3) Solenoid Valve with Orifice Of 11 mm and a flow capacity Qn 6000 L/min., (4) Inside pipe diameter 11 mm, (5) Medium clean air, (6) Air supply pressure 5,5 bar (79,75 Psi), (7) Actuator without external resistance load. **Cautions: obviously on the field applications when one or more of the above parameter are different, the moving time will be different.**  
 (B) For HT (high temperature) and LT (low temperature) services, a special Lubricant is requested. Please contact Air Torque factory.

**Operating Medium:**  
 The operating medium must be free of dust and oil. The maximum particle size must not exceed 30µm (ISO 8573 Part1, Class5). In order to prevent water condensation and/or solidification – ice, when actuator work below 0°C (32°F) – the operating medium must have a dew point equal to -20°C (-4°F) or, at least 10°C below the ambient temperature (ISO 8573 Part1, Class3).

This data sheet is property of AIR TORQUE S.p.A. Costa di Mezzate - Italy and all rights of use and reproduction are reserved.  
 This data sheet is general in nature and manufacturer reserves the right to alter materials or to make other improvements from time to time