

AIR TORQUE

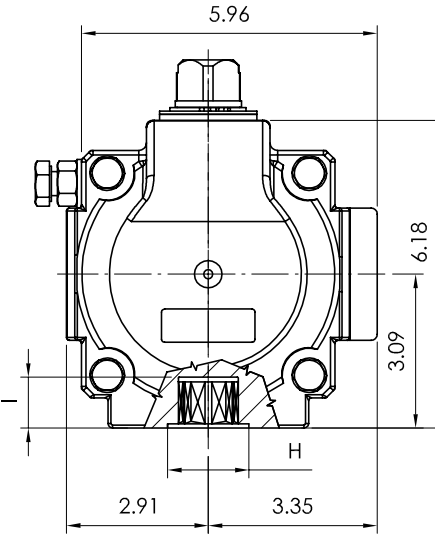
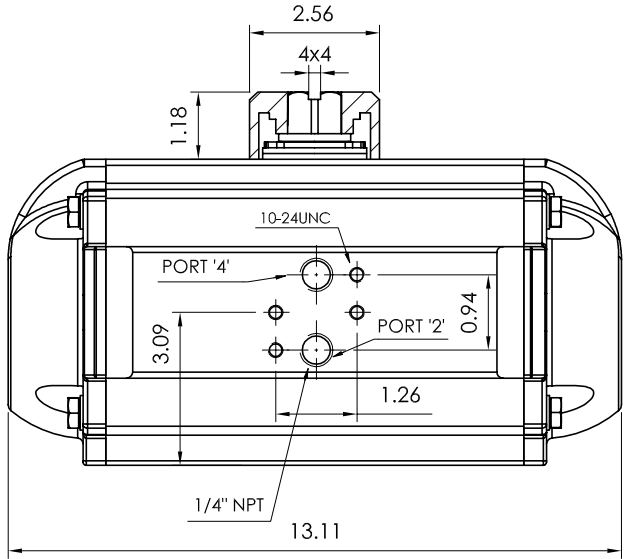
AIR TORQUE S.p.A.
 via Alla Campagna, N°1
 24060 Costa di Mezzate(Bg) Italy
 Tel.: +39 035 682299
 Fax: +39 035 687791
 E-mail: info@airtorque.it

Technical Data Sheet n° **PT400DU**
 Issued on: 12/04

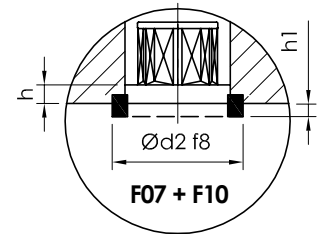
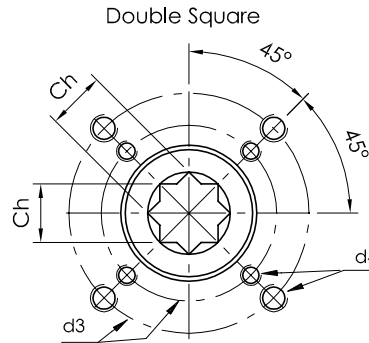
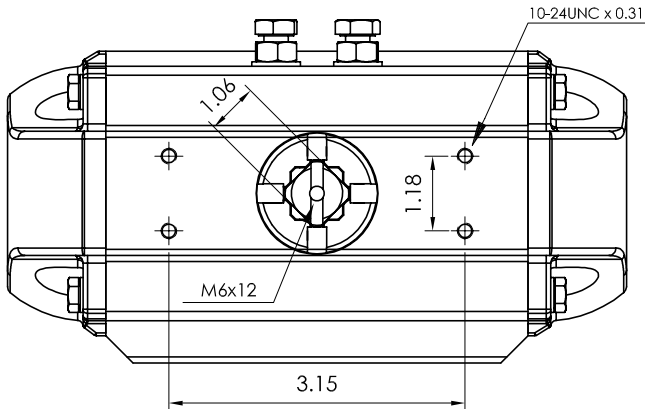
Page: 1/1

Model PT400
DA and SR - 90°

Dimensions in inch



Flange Dimensions	
ISO 5211	F07 + F10
d2 f8	2,17
d3	2,76 + 4,02
d4	5/16-18UNC x 0,47 3/8-16UNC x 0,59
H	2,17
Ch	0,87
l min.	0,94
h min.	0,06
h1	0,1
Pressure connection	N 2
Ancillary Attachment	AA 2



Spigot available only on request

TYPE	OUTPUT TORQUE FOR DOUBLE ACTING IN FT-LBS								WEIGHT (LBS)								
	40 Psi		50 Psi		60 Psi		70 Psi		80 Psi		90 Psi		100 Psi		116 Psi		
Pressure	0°	90°	0°	90°	0°	90°	0°	90°	0°	90°	0°	90°	0°	90°	0°	90°	23,7
D	113		141		169		197		225		254		282		327		

TYPE	OUTPUT TORQUE FOR SPRING RETURN IN FT-LBS										Spring stroke		WEIGHT (LBS)						
	40 Psi		50 Psi		60 Psi		70 Psi		80 Psi		90 Psi			100 Psi		116 Psi			
Pressure	0°	90°	0°	90°	0°	90°	0°	90°	0°	90°	0°	90°	0°	90°	0°	90°	90°	0°	
																	Start	End	
S 05	74	51,9	102,2	80,1	130	108	159	136	187	165	215	193	243	221	288	266	60,8	38,7	25,4
S 06	66,2	39,8	94,4	68	123	96,1	151	124	179	152	207	181	235	209	280	254	72,9	46,5	25,7
S 07	58,5	27,6	86,7	55,8	115	84	143	112	171	140	199	169	228	197	273	242	85,1	54,2	26,1
S 08			78,9	43,6	107	71,8	135	100	163	128	192	156	220	185	265	230	97,2	62	26,4
S 09			71,2	31,5	99,3	59,7	128	87,8	156	116	184	144	212	172	257	217	109	69,7	26,8
S 10					91,6	47,5	120	75,7	148	104	176	132	204	160	249	205	122	77,5	27,1
S 11							112	63,5	140	91,7	168	120	197	148	242	193	134	85,2	27,5
S 12									132	79,6	161	108	189	136	234	181	146	93	27,8

Max. Pressure	Rotation	Screw stroke Adjustment	Chamber φ (inch)	Air Volume (in ³)		Moving Time (Sec.) (A)		Operating Temperature (°F) (B)				
				Opening	Closing	Opening	Closing	STD (standard)	HT (high temperature)	LT (low temperature)		
116 Psi	90° ±4° at 0° and 90°	For 1° adj. need 1/4 Turn	4,92	94	143	D	0,9	D	1,1	NBR "O" ring	FPM "O" ring	Silicone "O" ring
						S	1,2	S	1,4	- 4 to + 176	+ 5 to + 300	- 40 to + 176

Notes:

(A) The above indicated moving time of the actuator, are obtained in the following test conditions:

(1) Room Temperature, (2) Actuator Stroke 90°, (3) Solenoid Valve with Orifice Of 4 mm and a flow capacity Qn 400 L/min., (4) Inside pipe diameter 8 mm, (5) Medium clean air, (6) Air supply pressure 5,5 bar (79,75 Psi), (7) Actuator without external resistance load. **Cautions: obviously on the field applications when one or more of the above parameter are different, the moving time will be different.**

(B) For HT (high temperature) and LT (low temperature) services, a special Lubricant is requested. Please contact Air Torque factory.

Operating Medium:

The operating medium must be free of dust and oil. The maximum particle size must not exceed 30µm (ISO 8573 Part1, Class5). In order to prevent water condensation and/or solidification – ice, when actuator work below 0°C (32°F) – the operating medium must have a dew point equal to -20°C (-4°F) or, at least 10°C below the ambient temperature (ISO 8573 Part1, Class3).