

# AIR TORQUE®

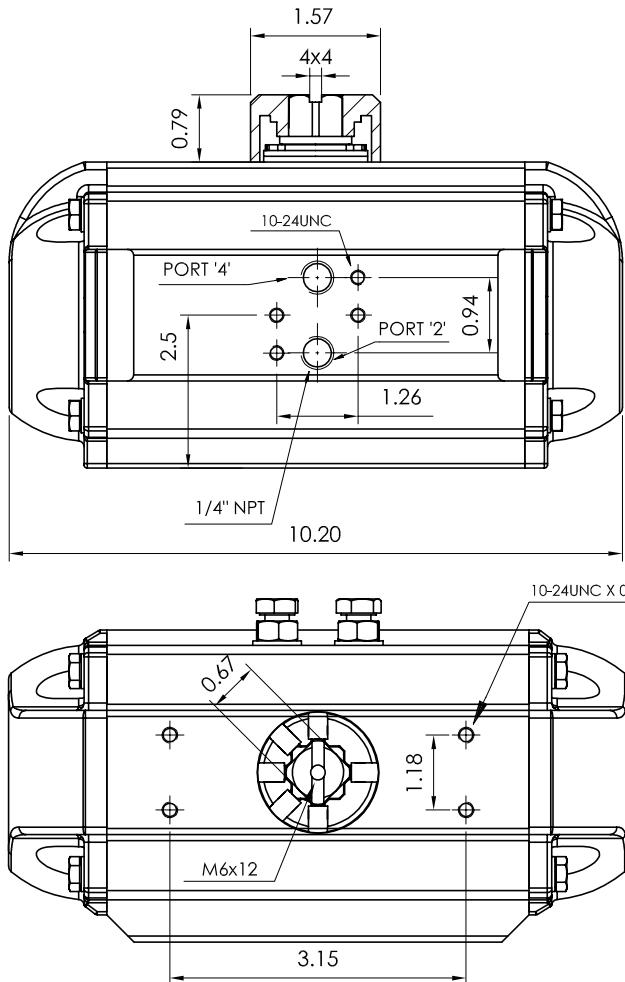
**AIR TORQUE S.p.A.**  
 via Alla Campagna, N°1  
 24060 Costa di Mezzate(Bg) Italy  
 Tel.: +39 035 682299  
 Fax: +39 035 687791  
 E-mail: info@airtorque.it

Technical Data Sheet n°PT300DU  
 Issued on: 12/04

Page: 1/1

## Model PT300 DA and SR - 90°

### Dimensions in inch



Flange Dimensions	
ISO 5211	F07+F10
d2 f8	2,17(Only F07)
d3	2,75 + 4,01
d4	5/16-18UNC x 0,47 3/8-16UNC x 0,6
H	2,17
Ch	0,67
l min.	0,75
h min.	0,06
h1	0,08
Pressure connection	N 2
Ancillary Attachment	AA 1

Spigot available only on request

TYPE	OUTPUT TORQUE FOR DOUBLE ACTING IN FT-LBS								WEIGHT (LBS)								
	40 Psi		50 Psi		60 Psi		70 Psi		80 Psi		90 Psi		100 Psi		116 Psi		
Pressure	0°	90°	0°	90°	0°	90°	0°	90°	0°	90°	0°	90°	0°	90°	0°	90°	
D	54,1		67,6		81,2		94,7		108		122		135		157		12,5

TYPE	OUTPUT TORQUE FOR SPRING RETURN IN FT-LBS										Spring stroke		WEIGHT (LBS)						
	40 Psi		50 Psi		60 Psi		70 Psi		80 Psi		90 Psi			100 Psi		116 Psi			
Pressure	0°	90°	0°	90°	0°	90°	0°	90°	0°	90°	0°	90°	0°	90°	0°	90°	90°	0°	
S 05	35,4	25,1	48,9	38,6	62,5	52,1	76	65,6	89,5	79,2	103	92,7	117	106	138	128	29,1	18,7	13,3
S 06	31,7	19,2	45,2	32,8	58,7	46,3	72,3	59,8	85,8	73,3	99,3	86,9	113	100	134	122	34,9	22,4	13,5
S 07	27,9	13,4	41,5	27	55	40,5	68,5	54	82	67,5	95,6	81,1	109	94,6	131	116	40,7	26,2	13,7
S 08			37,7	21,1	51,3	34,7	64,8	48,2	78,3	61,7	91,8	75,2	105	88,8	127	110	46,5	29,9	13,8
S 09			34	15,3	47,5	28,9	61	42,4	74,6	55,9	88,1	69,4	102	83	123	105	52,3	33,6	14,0
S 10					43,8	23	57,3	36,6	70,8	50,1	84,4	63,6	97,9	77,2	120	98,8	58,1	37,4	14,1
S 11							53,6	30,8	67,1	44,3	80,6	57,8	94,1	71,3	116	93	63,9	41,1	14,3
S 12									63,4	38,5	76,9	52	90,4	65,5	112	87,2	69,7	44,9	14,5

Max. Pressure	Rotation	Screw stroke Adjustment	Chamber φ (inch)	Air Volume (in <sup>3</sup> )	Moving Time (Sec.) (A)				Operating Temperature (°F) (B)		
					Opening	Closing	Opening	Closing	STD (standard)	HT (high temperature)	LT (low temperature)
116 Psi	90° ±4° at 0° and 90°	For 1° adj. need 1/5 Turn	3,94	43,3	67,7	D 0,5 S 0,7	D 0,6 S 0,9	NBR "O" ring - 4 to + 176	FPM "O" ring + 5 to + 300	Silicone "O" ring - 40 to + 176	

**Notes:**

- (A) The above indicated moving time of the actuator, are obtained in the following test conditions: (1) Room Temperature, (2) Actuator Stroke 90°, (3) Solenoid Valve with Orifice Of 4 mm and a flow capacity Qn 400 L/min., (4) Inside pipe diameter 8 mm, (5) Medium clean air, (6) Air supply pressure 5,5 bar (79,75 Psi), (7) Actuator without external resistance load. **Cautions: obviously on the field applications when one or more of the above parameter are different, the moving time will be different.**
- (B) For HT (high temperature) and LT (low temperature) services, a special Lubricant is requested. Please contact Air Torque factory.

**Operating Medium:**

The operating medium must be free of dust and oil. The maximum particle size must not exceed 30µm (ISO 8573 Part1, Class5). In order to prevent water condensation and/or solidification – ice, when actuator work below 0°C (32°F) – the operating medium must have a dew point equal to -20°C (-4°F) or, at least 10°C below the ambient temperature (ISO 8573 Part1, Class3).