



AIR TORQUE

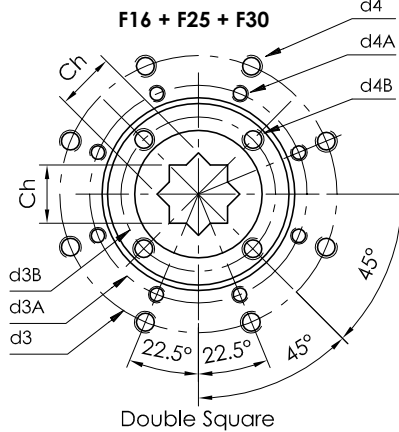
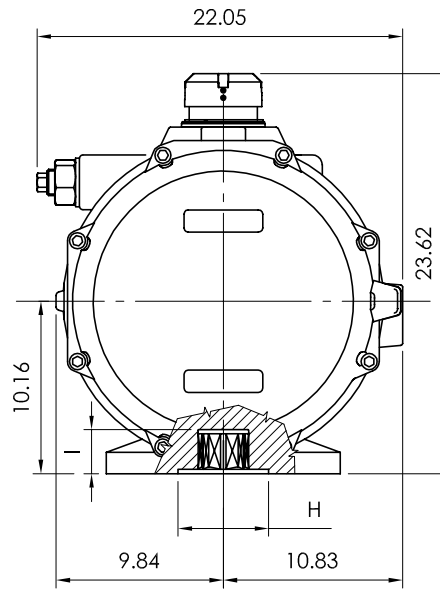
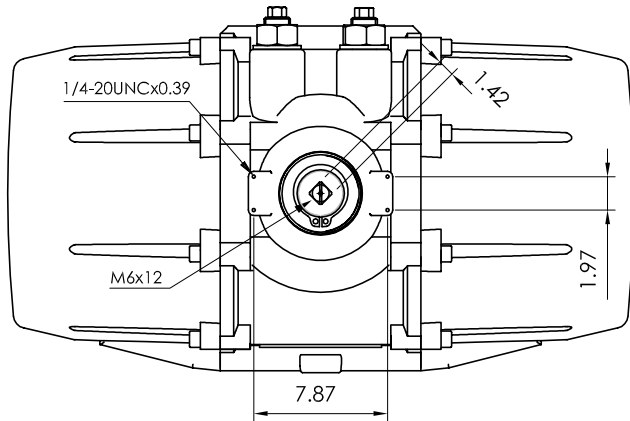
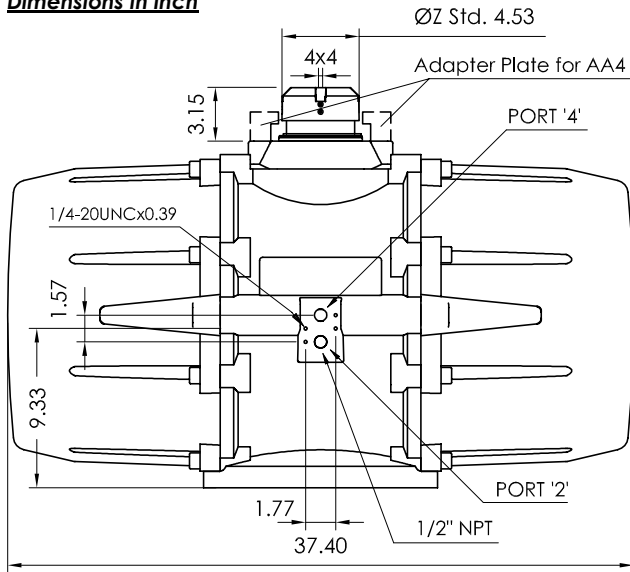
AIR TORQUE S.p.A.
 Via Alla Campagna, N°1
 24060 Costa di Mezzate (Bg) Italy
 Tel.: +39 035 682299
 Fax: +39 035 687791
 E-mail: info@airtorque.it

Technical Data Sheet n° **PT1000DU**
 Issued on: 06/06

Page: 1/1

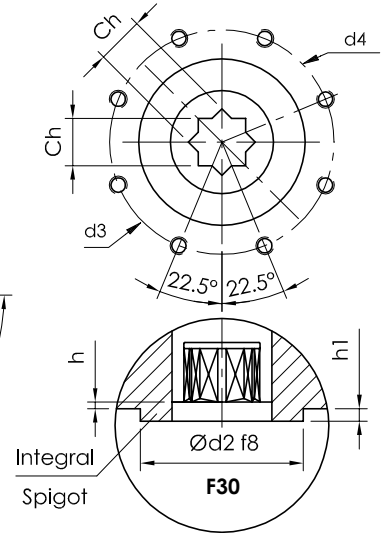
Model PT1000 DA and SR - 90°

Dimensions in inch



Available flange:
 = F30
 = F16 + F25 + F30

Flange Dimensions			
ISO 5211	F30	F16 + F25 + F30	
d2 f8	9.06	7.87 (F25)	
d3	11.73	6.50	
d3A	NA	10.00	
d3B	NA	11.73	
d4	3/4-10UNCx1.18	3/4-10UNCx1.18	
d4A	NA	5/8-11UNCx0.94	
d4B	NA	3/4-10UNCx1.18	
H	9.06	7.87	
Ch	2.95	2.95	2.17
l min.	3.03	3.03	2.24
h min.	0.02	0.10	
h1	0.08	0.16	
Position Indicator for proximity	Z = 115		
Pressure connection	N 4		
Ancillary Attachment	AA 5 - Standard AA4 - only on request with additional Adapter Plate		



TYPE	OUTPUT TORQUE FOR DOUBLE ACTING IN LB-IN									WEIGHT (LBS)								
	40 Psi		50 Psi		60 Psi		70 Psi		80 Psi		90 Psi		100 Psi		116 Psi		Aluminium Drive Shaft	Steel Drive Shaft
Pressure	0°	90°	0°	90°	0°	90°	0°	90°	0°	90°	0°	90°	0°	90°	0°	90°		
D	40716		50895		61074		71253		81432		91611		101790		118077		375	443

TYPE	OUTPUT TORQUE FOR SPRING RETURN IN LB-IN												Spring stroke		WEIGHT (LBS)					
	40 Psi		50 Psi		60 Psi		70 Psi		80 Psi		90 Psi		100 Psi		116 Psi		90°	0°	All. Drive Shaft	Steel Drive Shaft
Pressure	0°	90°	0°	90°	0°	90°	0°	90°	0°	90°	0°	90°	0°	90°	0°	90°	Start	End		
S 05	25715	18812	35894	28991	46073	39170	56252	49349	66431	59528	76610	69707	86790	79887	103076	96173	21904	15001	438	506
S 06	22715	14432	32894	24611	43073	34790	53252	44969	63431	55148	73610	65327	83789	75506	100076	91792	26285	18001	450	518
S 07	19715	10051	29894	20230	40073	30409	50252	40588	60431	50767	70610	60946	80789	71125	97076	87411	30665	21001	463	531
S 08			26894	15849	37073	26028	47252	36207	57431	46386	67610	56565	77789	66744	94076	83031	35046	24001	475	543
S 09					34073	21647	44252	31826	54431	42005	64610	52184	74789	62364	91075	78650	39427	27001	488	556
S 10							41252	27455	51431	37634	61610	47813	71789	57992	88075	74278	43799	30002	500	568
S 11									48431	33253	58610	43432	68789	53611	85075	69897	48179	33002	513	581
S 12											55609	39051	65788	49230	82075	65517	52560	36002	525	593

Max. Pressure	Rotation	Screw stroke Adjustment	Chamber φ (inch)	Air Volume (in ₃)		Moving Time (Sec.) (A)		Operating Temperature (°F) (B)		
				Opening	Closing	Opening	Closing	STD (standard)	HT (high temperature)	LT (low temperature)
116 Psi	90° ±4° at 0° and 90°	For 1° adj. need 1/4 Turn	16,54	2990	5126	D 8 S 10	D 9 S 11	NBR "O" ring - 4 to + 176	FPM "O" ring + 5 to + 300	Silicone "O" ring - 40 to + 176

Notes:
 (A) The above indicated moving time of the actuator, are obtained in the following test conditions:
 (1) Room Temperature, (2) Actuator Stroke 90°, (3) Solenoid Valve with Orifice Of 11 mm and a flow capacity Qn 6000 L/min., (4) Inside pipe diameter 11 mm, (5) Medium clean air, (6) Air supply pressure 5,5 bar (79.75 Psi), (7) Actuator without external resistance load. **Cautions: obviously on the field applications when one or more of the above parameter are different, the moving time will be different.**
 (B) For HT (high temperature) and LT (low temperature) services, a special Lubricant is requested. Please contact Air Torque factory.

Operating Medium:
 The operating medium must be free of dust and oil. The maximum particle size must not exceed 30µm (ISO 8573 Part1, Class5). In order to prevent water condensation and/or solidification (ice, when actuator work below 0°C), the operating medium must have a dew point equal to -20°C or, at least 10°C below the ambient temperature (ISO 8573 Part1, Class3).

This data sheet is property of AIR TORQUE S.p.A. Costa di Mezzate - Italy and all rights of use and reproduction are reserved.
 This data sheet is general in nature and manufacturer reserves the right to alter materials or to make other improvements from time to time